

# Relational Architecture:

# The Blueprint of Christian Life



## Core Premise

A new vertical relationship creates new horizontal realities.

## The Paradigm Shift

Being a Christian is not a segmented, once-a-week activity. It is a comprehensive architectural redesign of how you interact with humanity. God is profoundly concerned with your interpersonal involvement.

# The Foundation: A Reconstructed Spiritual Identity

**WHO** we are



## The Calling

You are a chosen people,  
a royal priesthood, a  
a holy nation.

**WHOSE** we are



## The Possession

You are God's special  
possession, rescued from  
darkness to proclaim His  
excellencies.

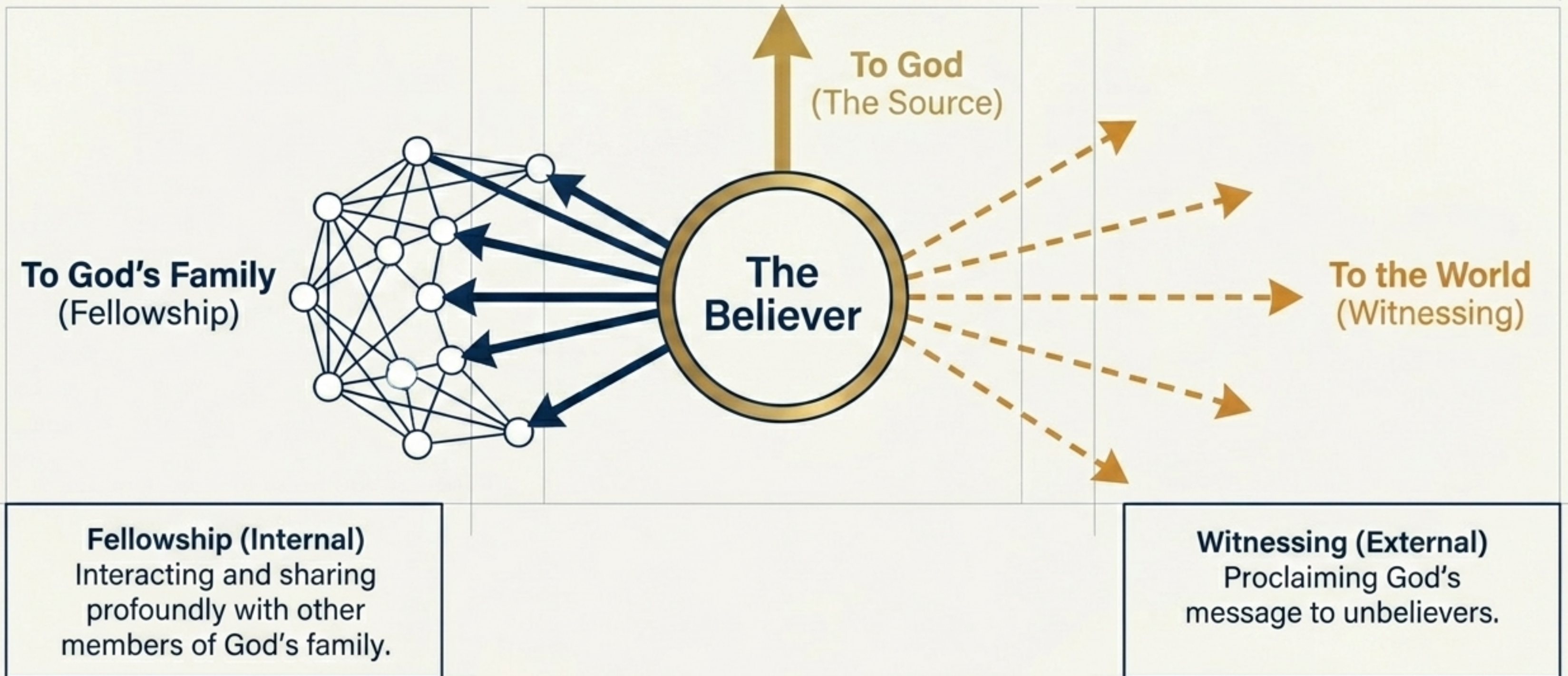
**WHERE** we are



## The Position

You are now aliens and  
strangers in the present  
world—operating within it,  
but governed by the rules  
of another kingdom.

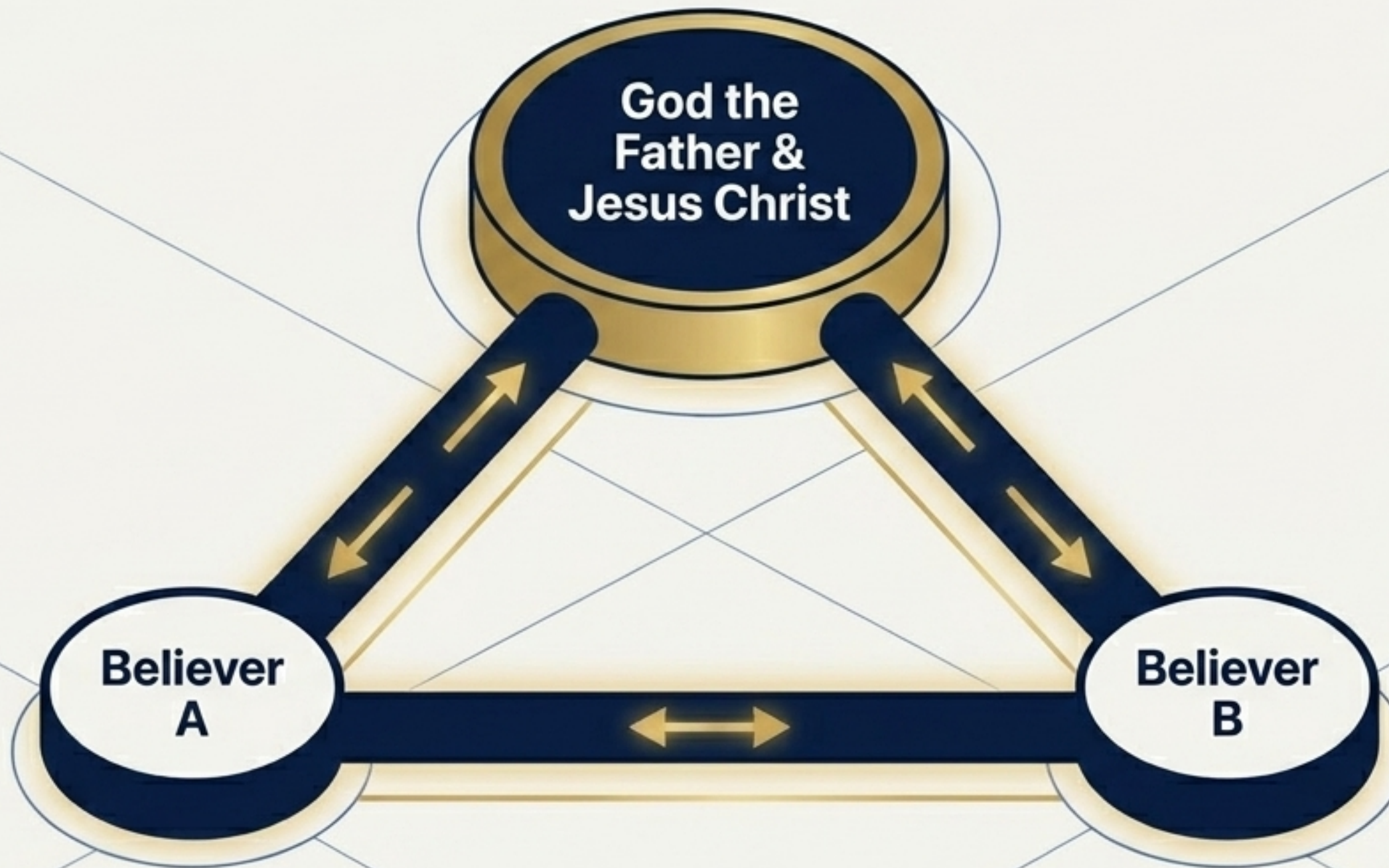
# The Relational Vectors: Two Directions of Engagement



# The Dual-Nature Diagnostic

	<b>Fellowship</b>	<b>Witnessing</b>
<b>Target</b>	Believers	Unbelievers
<b>Core Action</b>	Sharing life profoundly in Christ	Proclaiming truth and demonstrating a changed life
<b>Key Metaphor</b>	The Interconnected Body	The Fisherman / Radiating Light
<b>Primary Motivation</b>	Mutual Support & Unity	Rescue & God's Glory

# Defining Fellowship: The Shared Life



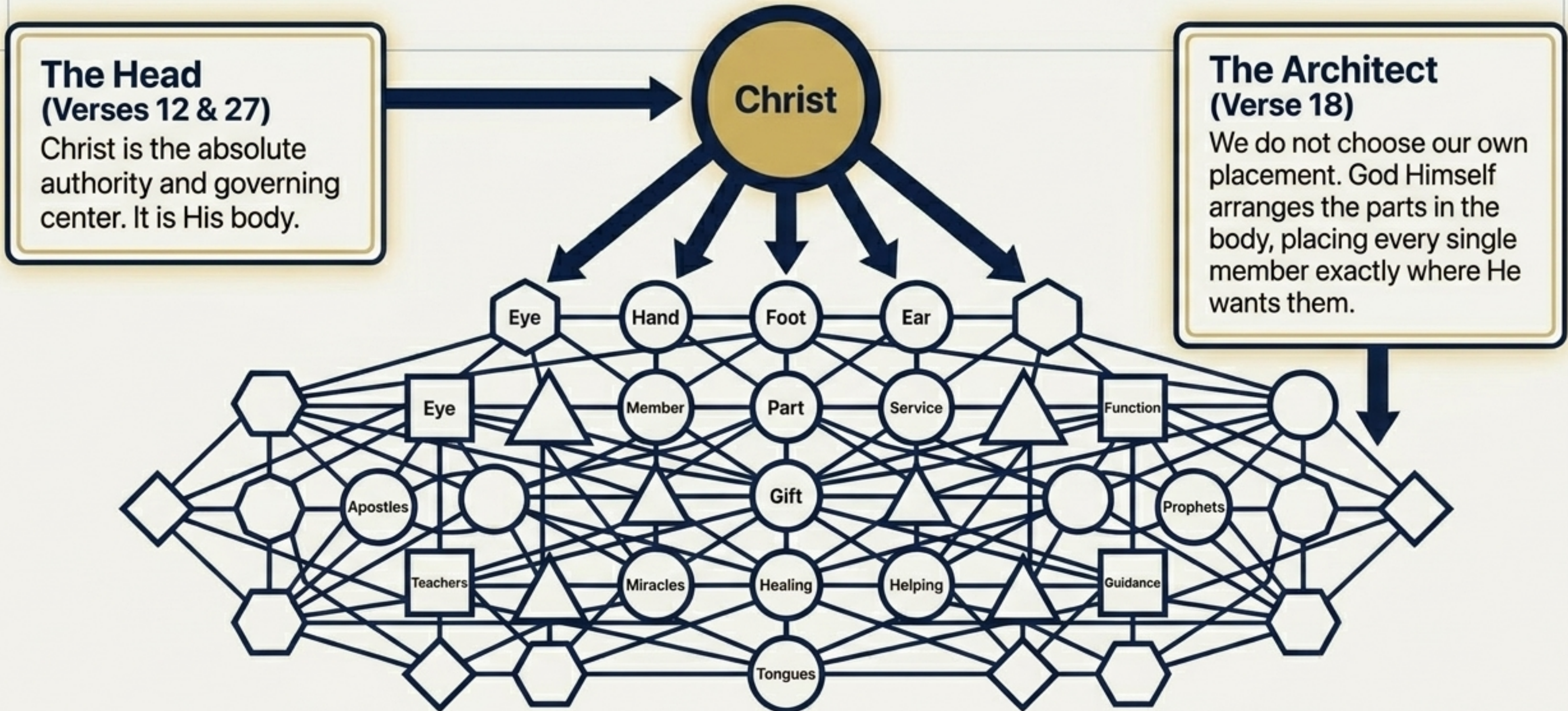
## The True Definition

Fellowship means sharing something with another person in a profound, fundamental way.

## The Triangulation (1 John 1:3)

We do not merely have fellowship with one another. Our interpersonal connection is made possible because we simultaneously share in the life of God and Christ. The horizontal connection relies on the vertical connection.

# The Architecture of the Body



# The Anatomy of Unity: Diversity and Necessity

## Diversity



**Function Requires Difference.** If the whole body were an eye, where would the sense of hearing be? The system requires distinct, specialized members.

## Necessity



**Mutual Dependence.** No part can say to another, "I don't need you." Every member is essential, and every member relies on the others to survive.

# The Sustaining Practices of Fellowship

## The Local Church



### Shared Devotion (Acts 2:42)

The early believers devoted themselves to shared activities: teaching, breaking of bread, and prayer.



### Shared Truth (Colossians 3:16)

The word of Christ must dwell richly among us, accompanied by teaching, admonishing one another, and singing to God with gratitude.



### Consistent Presence (Hebrews 10:25)

We must not neglect meeting together. Physical and spiritual gathering is a non-negotiable requirement for encouraging one another.

# The Proof of the Network: Active Love



Talking Love



Actions and Truth



True  
Disciple

## The Mark of Discipleship (John 13:35)

The distinguishing metric of a believer is not biblical knowledge alone, but **observable love** for one another. This is how all people will know you are Christ's disciples.

## Beyond Words (1 John 3:18)

True fellowship requires moving past verbal declarations. We are commanded to love not merely with **words or speech, but actively, with actions and in truth.**

# The Outward Vector: Truth on Trial

## The Current Reality

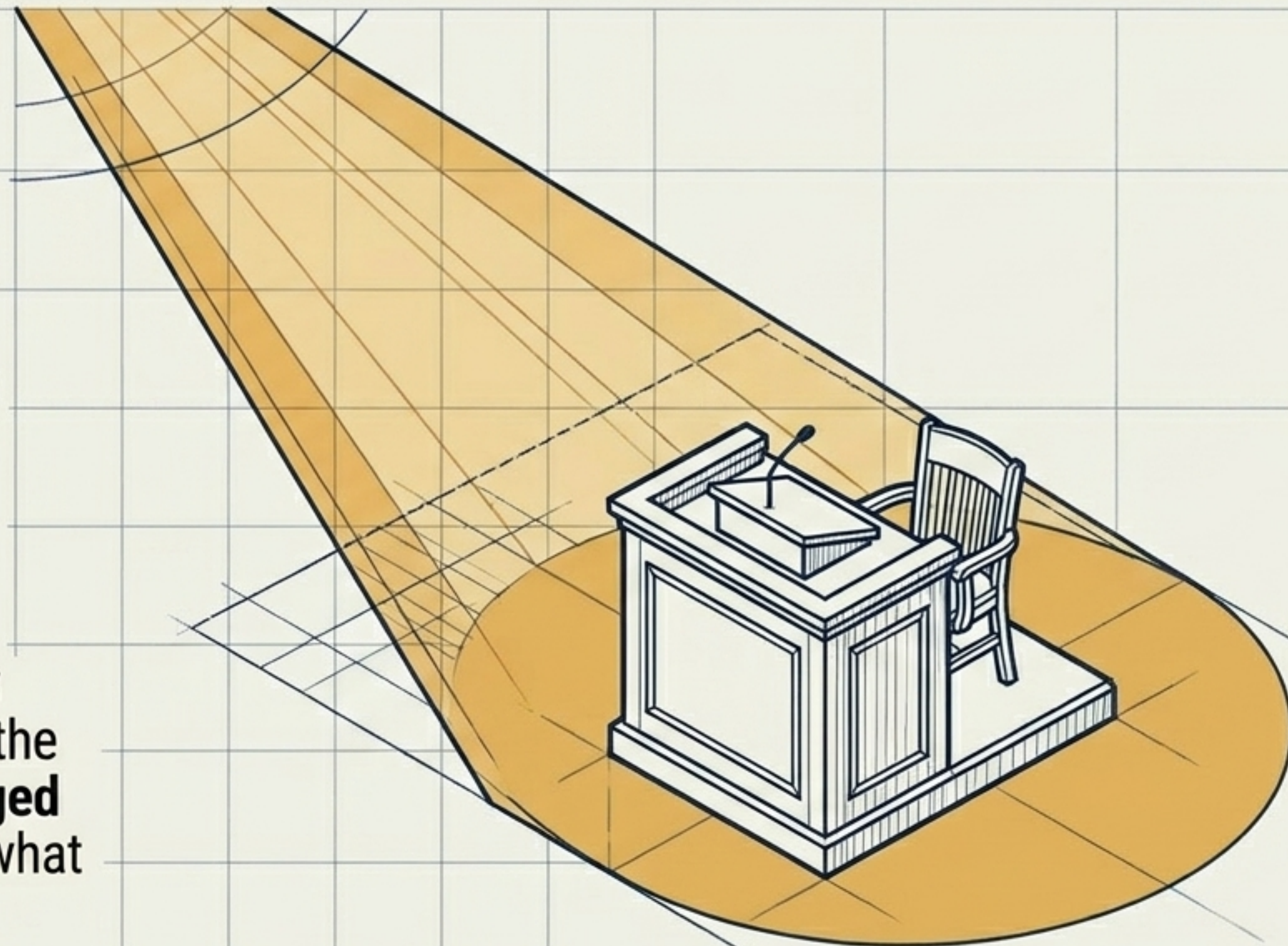
The truth is on trial in the world today.

## The Believer's Role

God calls every Christian to take the stand and provide personal testimony on behalf of Jesus.

## The Evidence

Your testimony cannot be purely verbal. It must be backed up by the **undeniable evidence of a changed life**. This **integrated witness** is what **wins people over to Christ**.



# The Progression of a Witness

1



## The Call (Matthew 4:19)

Following Precedes Fishing. Jesus stated, "Come, follow me, and I will send you out to fish for people." The ability to gather others comes directly from the act of following Him first.

2



## The Readiness (1 Peter 3:15)

Perpetual Readiness. **Witnessing is not always a scheduled event. You must always be prepared to give an answer to anyone who asks you for the reason for the hope that you have.**

# The Andrew Principle: The Power of Invitation



## The Model (John 1:40-42)

Andrew did not deliver a complex theological seminar. His immediate response to finding the Messiah was relational action.

## The Method

He found his brother Simon (Peter) and simply said, "We have found the Messiah," and brought him directly to Jesus.

## The Lesson

Effective witnessing often begins in your immediate relational network. It is the simple act of pointing those you know toward the truth you have found.

# The Ultimate Stakes of the Outward Call

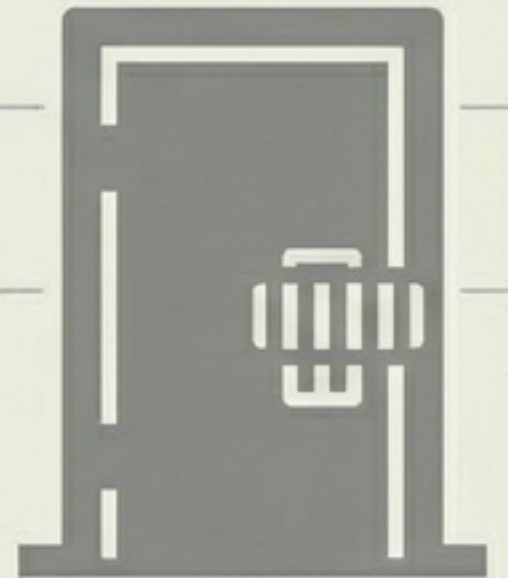
## The Highest Goal (James 5:20)

Keep this objective at the forefront of your mind: whoever turns a sinner from the error of their way will save them from death and cover over a multitude of sins. It is a rescue mission.



## The Warning of Denial (Mark 8:38)

The stakes of remaining silent are severe. If anyone is ashamed of Christ and His words in this adulterous and sinful generation, the Son of Man will be ashamed of them when He returns in His Father's glory.



# The Radiating Impact of a Proper Witness

## Visible Goodness (Matthew 5:16)

You are commanded to let your light shine before others. Your faith must produce visible, undeniable good deeds.

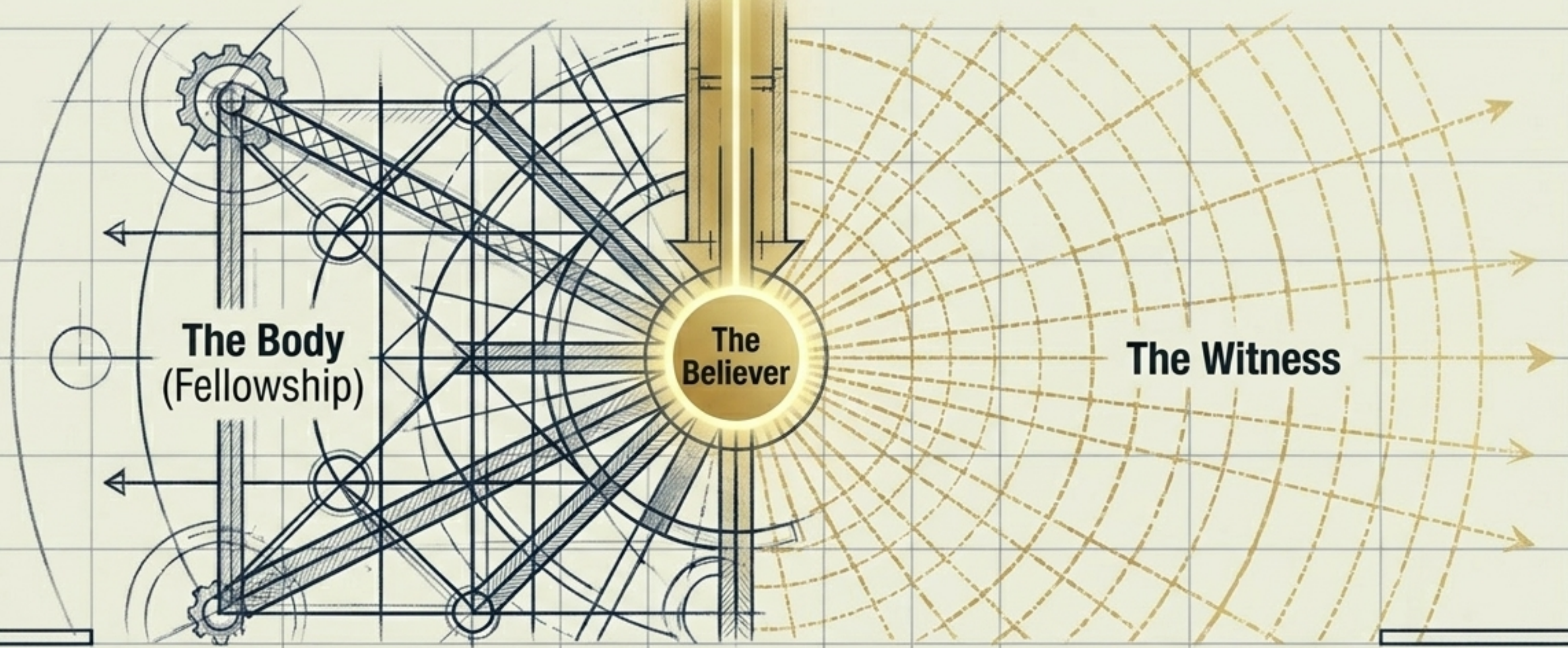
## The Ultimate Destination

The purpose of this radiating light is never to draw attention to yourself. The result of a proper, visible witness is that the world sees your good deeds and assigns the glory directly to your Father in heaven.



Glory to God

# The Integrated Believer: Architecture in Motion



Rooted Upward,  
Connected Inward,  
Reaching Outward.

Robust internal fellowship provides the strength, truth, and verifiable love required to sustain an effective external witness.

We gather together to build the Body; we go out to rescue the lost. Both are essential requirements of your new relationship with God.